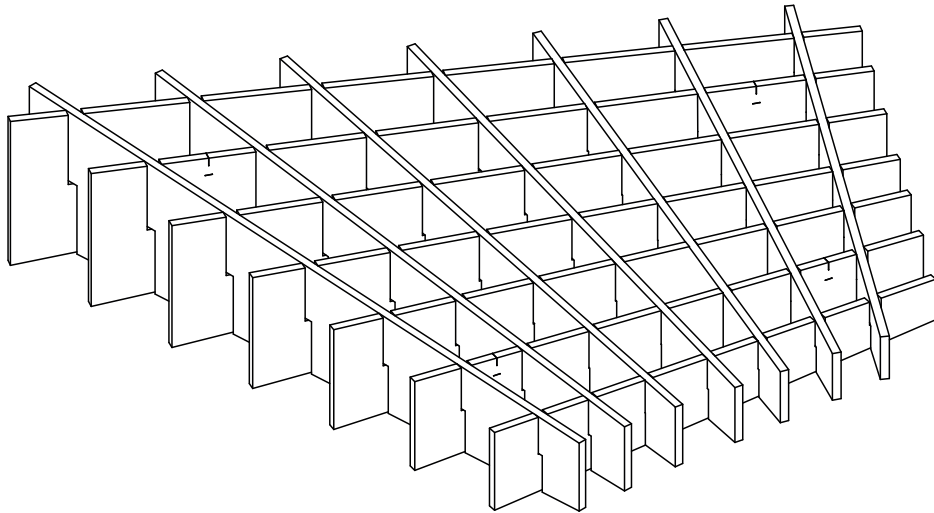
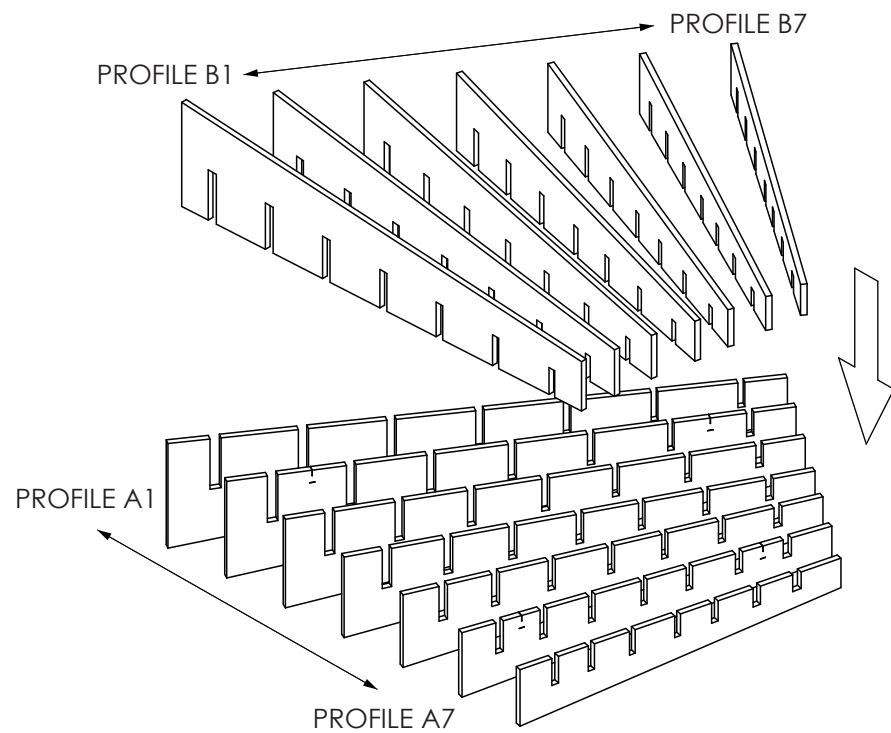


CLOCHETTE CLOUD INSTALL GUIDE



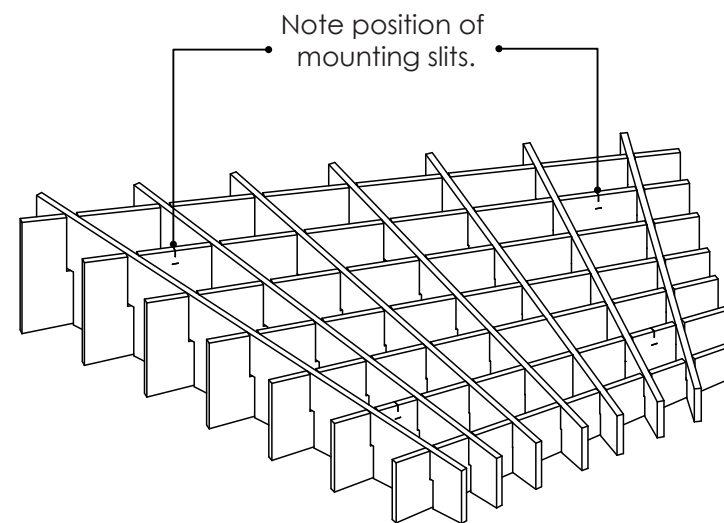
www.crownsurfacesolutions.com
e: info@crownsurfacesolutions.com
p: 416.245.2900

CLOCHETTE CLOUD ASSEMBLY



1) Assemble cloud profiles via slots.
Note position of mounting slits.

STEP 1

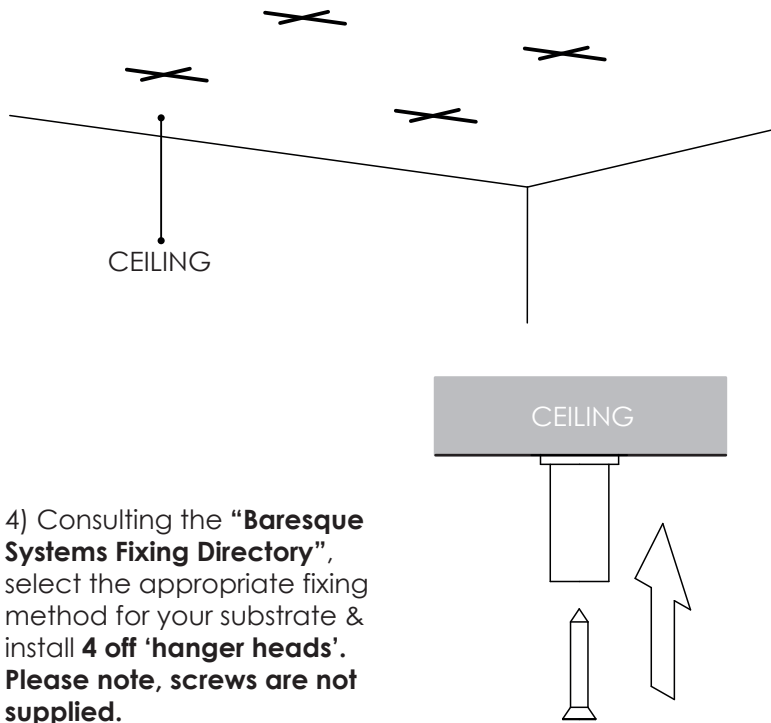


2) Assembled "Clochette Cloud".

STEP 2

CLOCHETTE CLOUD SUSPENSION METHOD

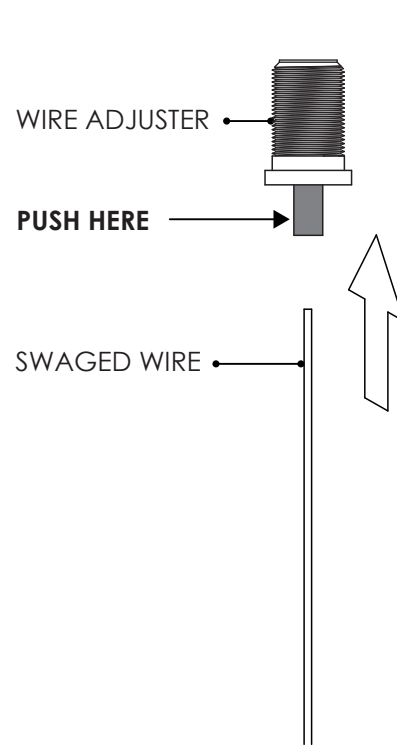
3) Place cloud assembly up to ceiling in desired location. Mark position of **4 off** through holes which correspond to the mounting slits.



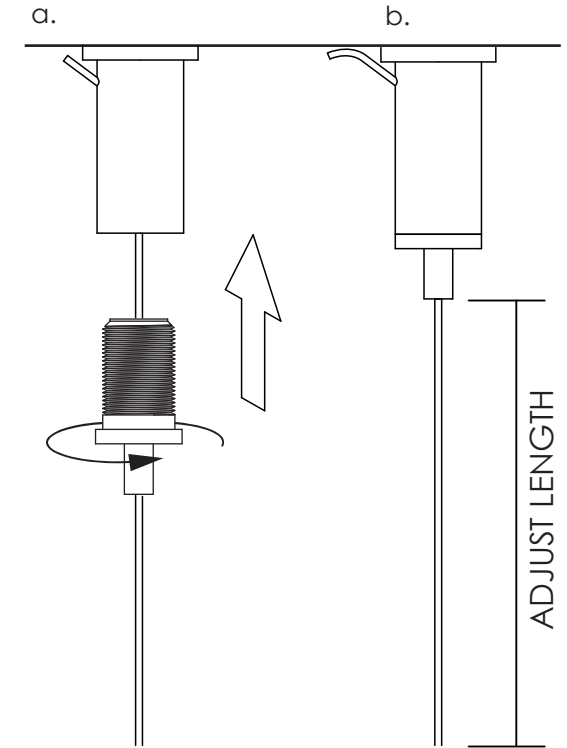
4) Consulting the “**Baresque Systems Fixing Directory**”, select the appropriate fixing method for your substrate & install **4 off** ‘hanger heads’. **Please note, screws are not supplied.**

STEP 3 & 4

5) Feed swaged wire through tip of ‘wire adjuster’ (as shown). Push button (shown in grey) to adjust wire length. Release the button to lock in place.



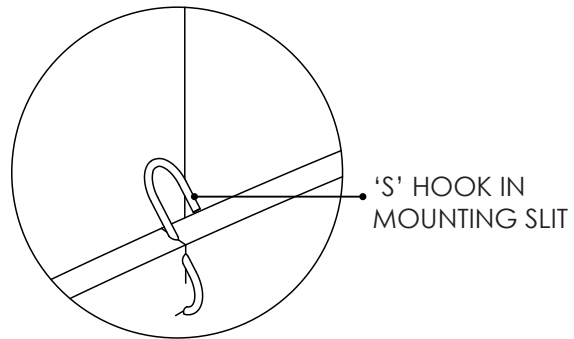
6) Feed swaged wire through hole in the side of ‘hanger head’. Screw ‘wire adjuster’ into ‘hanger head’, then adjust wires so they finish at approx. the same length.



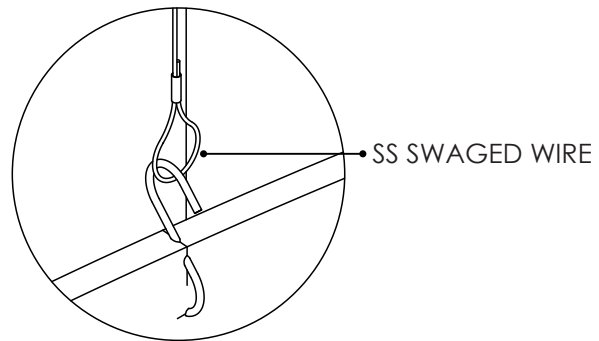
STEP 5 & 6

CLOCHETTE CLOUD SUSPENSION METHOD

7) Insert 'S' hooks into mounting slits on cloud as shown.

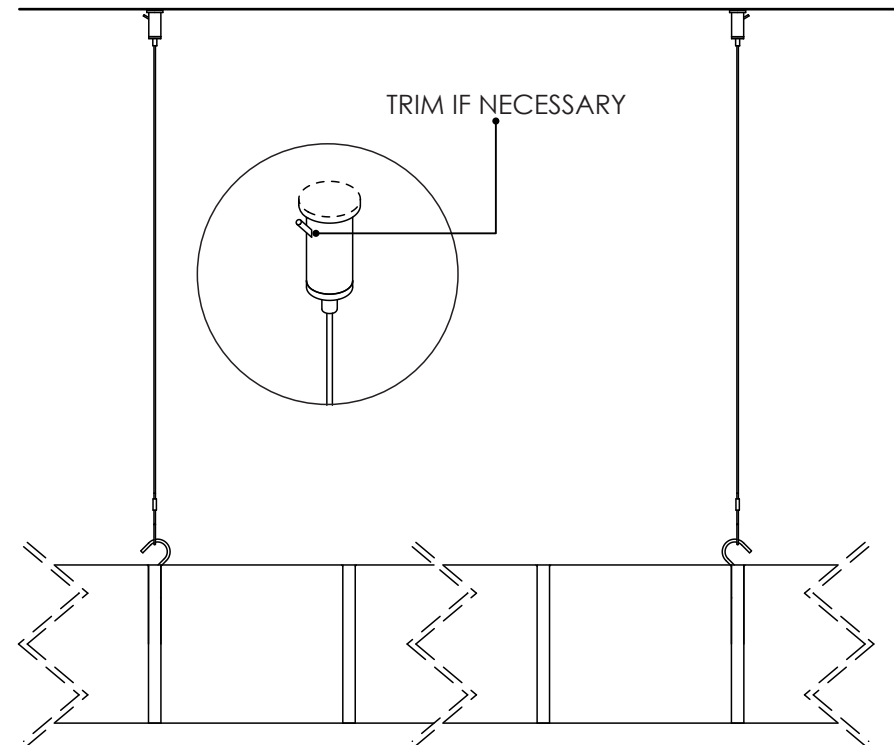


8) Suspend cloud by looping 'S' hooks through swaged wire.



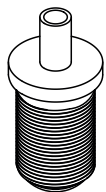
STEP 7 & 8

9) Re-adjust wire length as explained in STEP 5 until cloud hangs level. Trim excess wire for a neat finish.

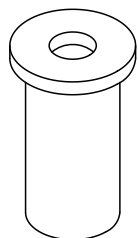


STEP 9

CLOCHETTE CLOUD PARTS



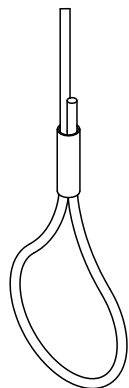
WIRE ADJUSTER
4 OFF



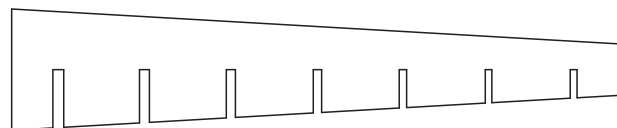
HANGER HEAD
4 OFF



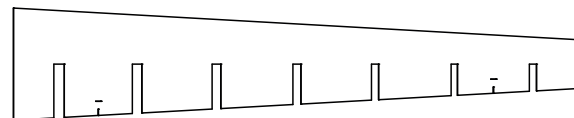
'S' HOOK
4 OFF



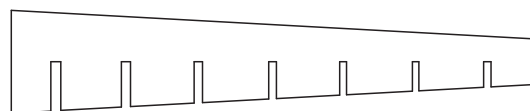
SWAGED WIRE
4 OFF



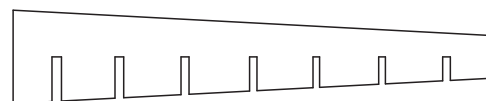
PROFILE A1



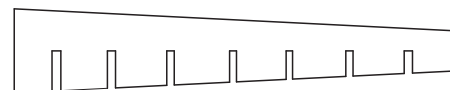
PROFILE A2



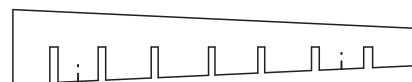
PROFILE A3



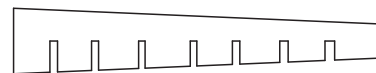
PROFILE A4



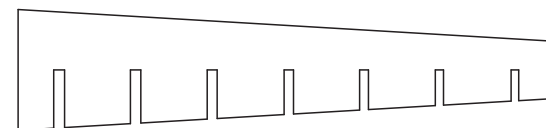
PROFILE A5



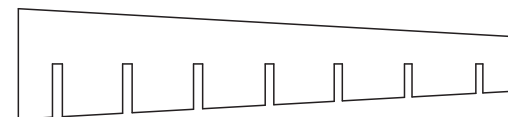
PROFILE A6



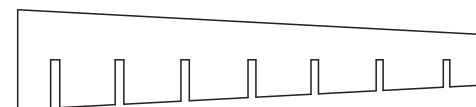
PROFILE A7



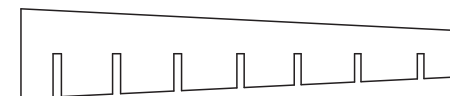
PROFILE B1



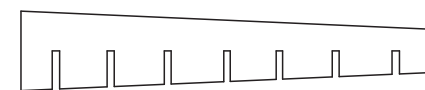
PROFILE B2



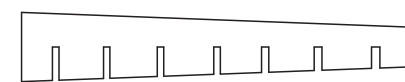
PROFILE B3



PROFILE B4



PROFILE B5



PROFILE B6



PROFILE B7